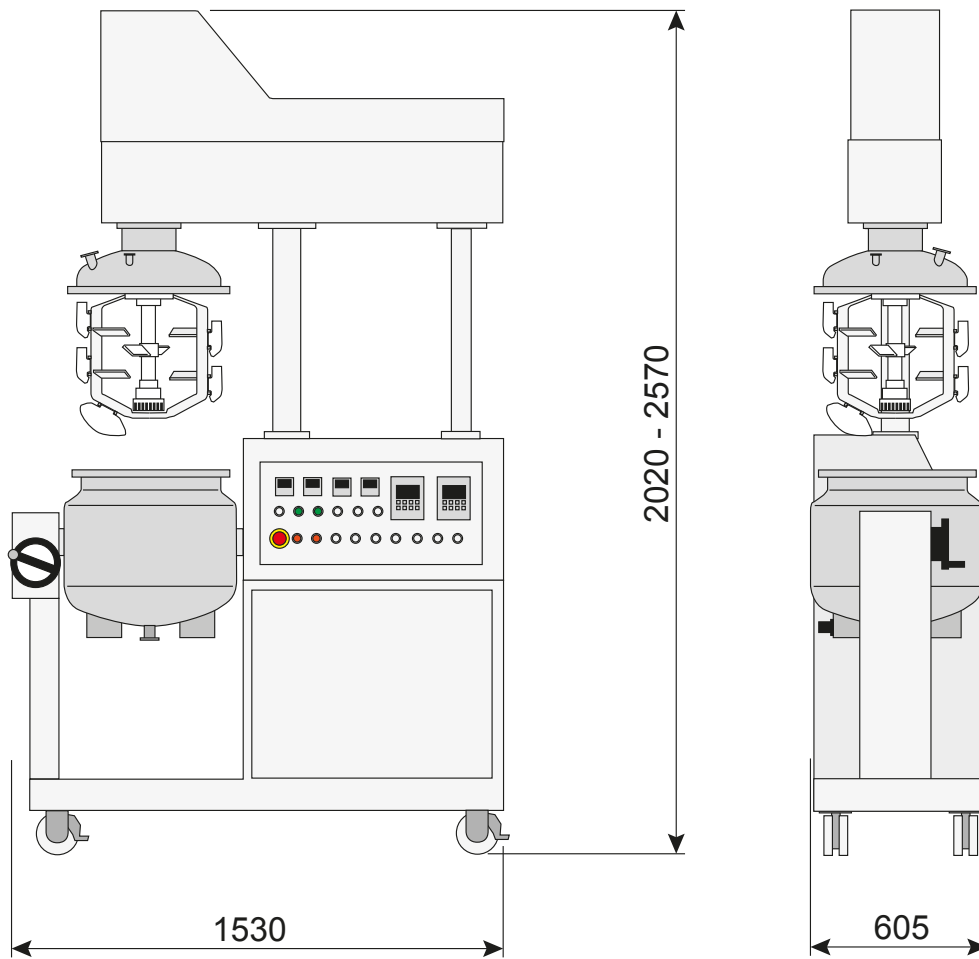


COPRINOX

MIXER

Code n° MXJ 001 0220

Location ref: 15 T1



CAPACITY LITERS

50

SHELL SIDE

JACKET/COIL SIDE

Design Pressure KG/cm2

Vacuum -0,09Mpa

Electric heated

Design Temperature °C

70 (water) 150 (oil heated)

70 (water) 150 (oil heated)

Material

SS316

SS304

MIXER TYPE: Vac mixer with slow speed counter-rotating mixer (0-86 rpm) +hi-speed emulsifier (0-2800 rpm)

Cover type: Hydraulically lifted. Tilting tank (manual)

Installed power HP: 0,75+1,5+4+0,37+2,55+2,55 Kw

Shaft seal: lip seals

Shaft speed RPM: 1) 0-86rpm 2) 0-2800rpm

ANCC or ISPEL certification: N/A

Availability in stock n° 01 units

MANUFACTURER :

 USED USED RECONDITIONED UNUSED

WEIGHT (approx) Kg

600

NOZZLE DIMENSIONS

Pos	Service	Size inch.
A	See datasheet for more specs	
B	Product discharge	3/4"
C		
D		
E		

NOTE

Working volume: 15-40 lt

Available with 20 lt and 30 lt heated premixers

Siemens inverters