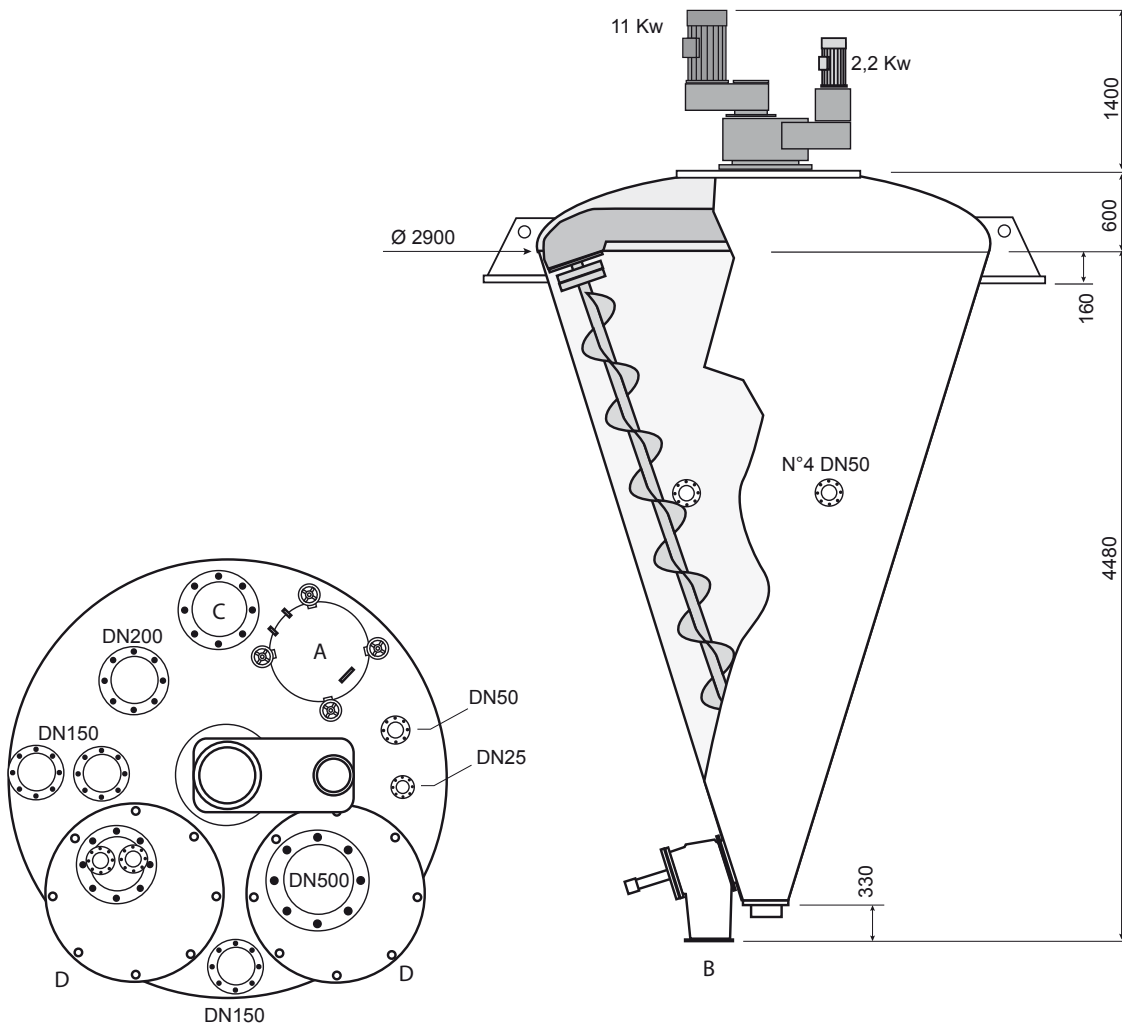


COPRINOX

MIXER

Code n° MX 126 0219

Location ref: 15 G2

CAPACITY LITERS 12000

SHELL SIDE

JACKET/COIL SIDE

Design Pressure KG/cm2

0,49

Design Temperature °C

100

Material

AISI 304

MIXER TYPE: Nauta type planetary mixer.Cover type: welded dished topInstalled power HP: 11 Kw + 2,2 Kw

Shaft seal: _____

Shaft speed RPM: _____

ANCC or ISPESEL certification: N/AAvailability in stock n° 1 unitsMANUFACTURER : ARCOM Spa USED USED RECONDITIONED UNUSEDWEIGHT (approx) Kg 3.820

NOZZLE DIMENSIONS

Pos	Service	Size inch.
A	Man hole	DN450
B	Product outlet	DN250
C	Inlet	DN250
D	Inlet (x 3)	DN150
E		

NOTE Working volume: 7,6 m3