

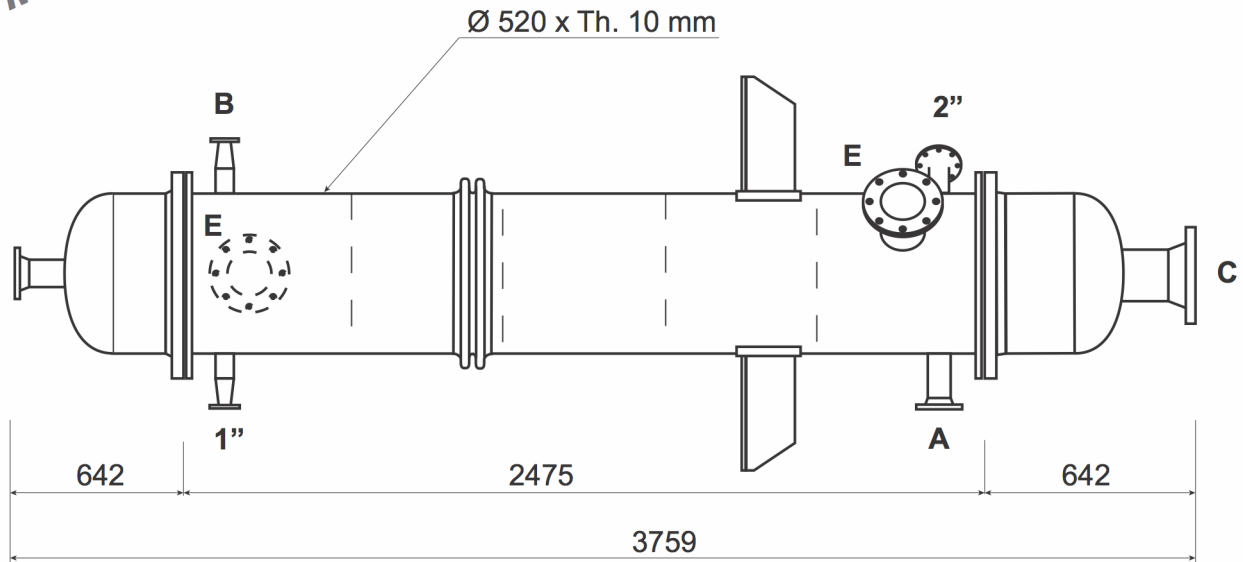
COPRINOX

HEAT EXCHANGER

Code n° HTDC 033 1351

Location ref: 16 T2

UNUSED
MAI USATO



HEATING SURFACE m² 33	TUBE SIDE	SHELL SIDE	
Design Pressure KG/cm ²	6,5 / FV	8 / FV	
Design Temperature °C	-10 / +170	-10 / +170	
Capacity liters	300	270	
ANCC or ISPESL certification: _____	NOZZLE DIMENSIONS		
Shell side traverse baffles n° 4	Pos	Service	Size inch.
Tube side passes n° 1	A	Shell side inlet	3"
TUBE O.D. 25,4	B	Shell side outlet	1"
TUBE THICKNESS 2	C	Tube side inlet	3"
TUBE N° 169	D	Tube side outlet	6"
TUBE EXPAND <input type="checkbox"/>	E		
TUBE WELDED <input checked="" type="checkbox"/>			
EXPANSION JOINT <input checked="" type="checkbox"/>			
MATERIALS	VERTICAL <input checked="" type="checkbox"/>		
SHELL Carbon Steel	ORIZZONTAL <input type="checkbox"/>		
TUBES AISI 304L	FLOATING HEAD <input type="checkbox"/>		
TUBESHEET AISI 304L	U - TUBE BUNDLE <input type="checkbox"/>		
HEAD BONNET OR CHANNEL AISI 304L	KETTLE <input type="checkbox"/>		
WEIGHT (approx) Kg 1450.	<input type="checkbox"/> USED		
MANUFACTURER: MAYR & WILHELM	<input type="checkbox"/> USED RECONDITIONED		
	<input checked="" type="checkbox"/> UNUSED		
	NOTE _____		